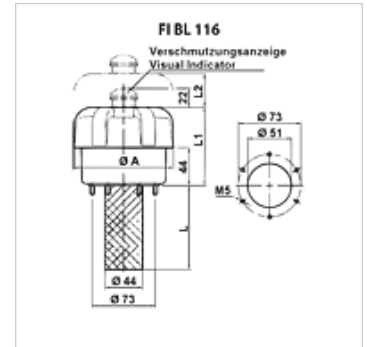


FI BL 116

Tank venting and filler filters

Properties

Design	Flange mounting on the tank, with filler screen with clogging indicator
Temp. min.	-25 °C
Temp. max.	100 °C
Material	Plastic cap Gasket: NBR Steel sieve
Filter material	non-organic, 3µm
Scope of supply	incl. filter element



Item

Identification	Air volume (L/min)	Mounting	L (mm)	L1 (mm)	L2 (mm)	Bolt circle (mm)	Ø A (mm)	Tank bore	Weight (kg)
FI BL 116 F P03 001	1600	6 x M5	108,0	91,0	55,0	73	116,00	51 mm	0,46
FI BL 116 F P03 002	2150	6 x M5	108,0	155,0	55,0	73	116,00	51 mm	0,60

Spare parts

FI BL E MP	Venting filter element
------------	------------------------