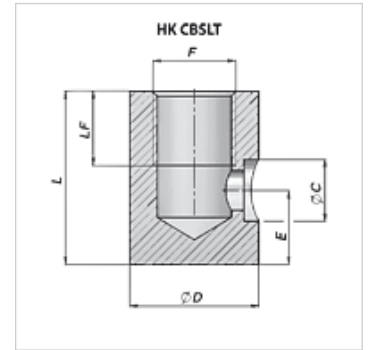


HK CBSLT

Oil fitting for pipe connection

Properties

Material Steel C22



Item

Identification	E (mm)	F	L (mm)	LF (mm)	Ø C (mm)	Ø D (mm)	Weight (kg)
HK CBSLT 040 10	12	G 1/4"	30	15	10,5	22	0,07
HK CBSLT 060 12	15	G 3/8"	35	15	12,5	26	0,10
HK CBSLT 080 15	15	G 1/2"	35	15	15,5	30	0,13