

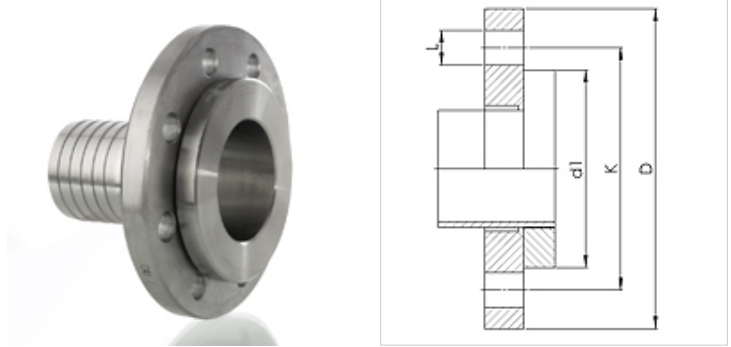
# TUE LF PN16

LOOSE flange, with serrated tail, PN10/16, steel VZ

**HANSA FLEX**

## Properties

<b>Connection 1</b>	Loose flange at pressure rating PN16
<b>Construction</b>	straight
<b>Sealing form 1</b>	flat sealing
<b>Application</b>	Industry
<b>Standard</b>	DIN EN 1092-1



## Item

Identification	DN*	Size	Inches	Ø D (mm)	K (mm)	Ø d2 (mm)	N (mm)
TUE 20 LF PN16	20	12	3/4"	105,0	75	14	4
TUE 25 LF PN16	25	16	1"	115,0	85	14	4
TUE 32 LF PN16	32	20	1.1/4"	140,0	100	18	4
TUE 38 LF PN16	40	24	1.1/2"	150,0	110	18	4
TUE 50 LF PN16	50	32	2"	165,0	125	18	4
TUE 63 LF PN16	63	40	2.1/2"	185,0	145	18	4
TUE 75 LF PN16	75	50	3"	200,0	160	18	8
TUE 102 LF PN16	100	64	4"	220,0	180	18	8

N = number of holes

## Accessories

<b>KS AL</b>	Clamp ring fitting, aluminium
<b>KS FIX AL</b>	Clamping shell for pinning, aluminium

## Additional elements

<b>FD C4400</b>	Flat seal
-----------------	-----------