

# TUE FF PN16

FIXED flange, with serrated tail, PN10/16, steel VZ

**HANSA FLEX**

## Properties

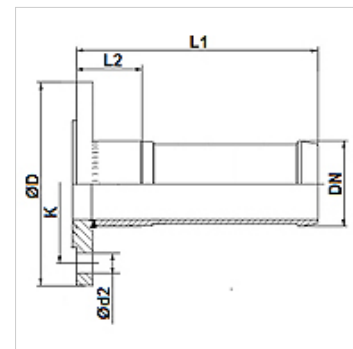
**Connection 1** Fixed flange  
at pressure rating PN16

**Construction** straight

**Sealing form 1** flat sealing

**Application** Industry

**Standard** DIN EN 1092-1



## Item

Identification	DN*	Size	Inches	Ø D (mm)	K (mm)	Ø d2 (mm)	N (mm)
TUE 20 FF PN16	20	12	3/4"	105,0	75	14	4
TUE 25 FF PN16	25	16	1"	115,0	85	14	4
TUE 32 FF PN16	32	20	1.1/4"	140,0	100	18	4
TUE 38 FF PN16	40	24	1.1/2"	150,0	110	18	4
TUE 50 FF PN16	50	32	2"	165,0	125	18	4
TUE 63 FF PN16	63	40	2.1/2"	185,0	145	18	4
TUE 75 FF PN16	75	50	3"	200,0	160	18	8
TUE 102 FF PN16	100	64	4"	220,0	180	18	8

N = number of holes

## Accessories

**KS AL** Clamp ring fitting, aluminium

**KS FIX AL** Clamping shell for pinning, aluminium

## Additional elements

**FD C4400** Flat seal