

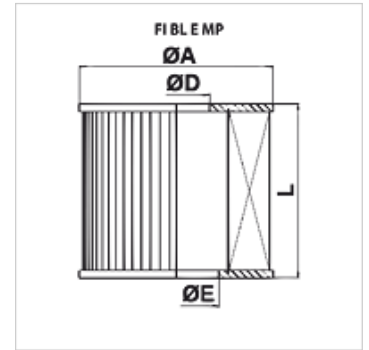
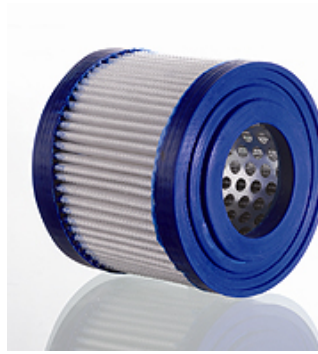
# FI BL E MP

Venting filter element

## Properties

**Filter material** non-organic, 3µm

**Use** For tank venting filters



## Item

Identification	for filter type	L (mm)	Ø A (mm)	Ø D (mm)	Ø E (mm)	Weight (kg)
FI BL E MP 0071 P03	FI BL 116 F P03 001	72,0	83,00	42	54	0,2
FI BL E MP 0072 P03	FI BL 116 F P03 002	135,0	83,00	42	54	0,2

## Spare part for following products

FI BL 116 Tank venting and filler filters