

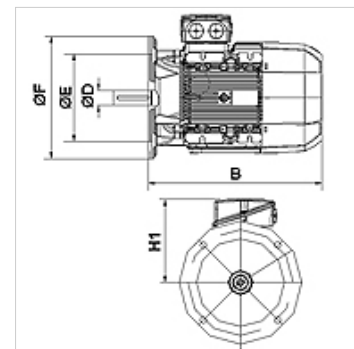
# HK B5 400/690V IE3

Electric motor B5 400/690V IE3

**HANSA FLEX**

## Properties

<b>Design</b>	type B5 without feet
<b>Protection IP</b>	IP 55
<b>Ambient temperature</b>	-20 °C to +40 °C
<b>Material</b>	Housing: Aluminium Housing: Grey cast iron (from HK180L4***)



## Description

Self-cooling squirrel-cage energy-saving motors

High efficiency IE3 - IEC60034-30:2009

Rated voltage 400/690V 50Hz, 460V 60Hz; 4-pin

Voltage tolerance +/- 5%

Above 11 kW incl. temperature protection (PTC thermistor)

## Item

Identification	n 50 Hz (rpm)	n 60 Hz (rpm)	P 50 Hz (kW)	P 60 Hz (kW)	I 50 Hz (A)	LF 50 Hz	H1 (mm)	B (mm)	Ø D shaft (mm)	Ø E (mm)	Ø F (mm)	η (IE3) %	Weight (kg)
HK 112M4 B5 4-6 IE3	1440	1728	4,00	4,60	14,00	0,80	180	340	28	180	250	88,6	37,5
HK 132SB4 B5 4-6 IE3	1460	1752	5,50	6,30	11,10	0,80	190	388	38	230	300	89,6	49,5
HK 132M4 B5 4-6 IE3	1470	1770	7,50	8,60	14,30	0,84	225	453	38	230	300	90,4	48,0
HK 160M4 B5 4-6 IE3	1470	1770	11,00	12,60	20,60	0,84	260	545	42	250	350	91,4	125,0
HK 160L4 B5 4-6 IE3	1470	1770	15,00	17,30	27,60	0,86	260	604	42	250	350	92,1	82,0
HK 180M4 B5 4-6 IE3	1475	1775	18,50	21,30	33,80	0,86	280	628	48	250	350	92,6	159,0
HK 180L4 B5 4-6 IE3	1475	1775	22,00	25,30	40,00	0,86	280	668	48	250	350	93,0	184,0
HK 200L4 B5 4-6 IE3	1475	1775	30,00	34,50	54,30	0,86	305	660	55	300	400	93,6	224,0
HK 225S4 B5 4-6 IE3	1480	1780	37,00	42,50	66,70	0,86	335	680	60	350	450	93,9	284,0
HK 225M4 B5 4-6 IE3	1480	1780	45,00	52,00	80,90	0,86	335	705	60	350	450	94,2	314,0
HK 250M4 B5 4-6 IE3	1480	1780	55,00	63,00	98,40	0,86	370	770	60	450	550	94,6	390,0

P 50 Hz = nominal output at 400 V/50 Hz – P 60 Hz = nominal output at 400 V/60 Hz – n 50 Hz = nominal speed at 400 V/50 Hz – n 60 Hz = nominal speed at 400 V/60 Hz – I 50 Hz = nominal current at 400 V/50 Hz – LF 50 Hz = cos phi power factor at 50 Hz – η (IE3) = efficiency to IE3 in % (at full load)