

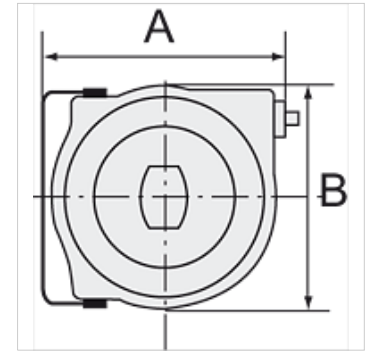
K-ELEKTRO-KABELAUFROLL POLY

Electrical cable reel (polypropylene) easy mounting on the wall or ceiling

HANSA FLEX

Properties

Cable type	HO5VV-F
Current	Max. 10 A
Connection	SchuKo plug
For voltage	230 V, 50 Hz
Power input	Max. 1000 W (fully wound), max. 2000 W (fully unwound)
Swivel angle	180°



Note

Further information on request

Description

High-quality, polypropylene housing. Includes a thermal circuit breaker. In case of overloading, a thermal overload protective circuit cuts off the electrical power supply automatically.

Item

Identification	A (mm)	B (mm)	Length (m)
K- 07 10 03 48	335,0	290,0	15