

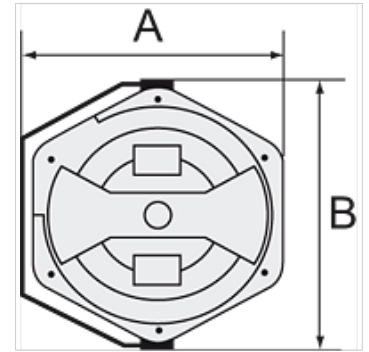
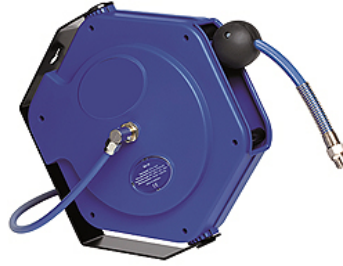
K-SCHL-AUFROLLER LUFT

Hose reels for compressed air

HANSA FLEX

Properties

Hose material	Braided polyurethane
Operating pressure	Max. 16 bar; 13.5 x 9.5 mm hose: max. 12 bar
Operating temperature	-20 °C to +60 °C
Swivel angle	300°



Note

Further information on request

Description

For easy mounting on the wall or ceiling. Closed, rugged, impact-resistant housing made of POM, supply/outlet R 1/4 male thread and lightweight, hard-wearing, oil-resistant polyurethane hose. Incl. 2 m feeder hose (not Art. K-07100618).

Additional information

Housing of K-07100621, K-07100620 and K-07100618 identical to K-07100614

Item

Identification	Hose size	A (mm)	B (mm)	Hose length (m)
K- 07 10 06 18	12 mm x 8 mm	394,5	436,0	7
K- 07 10 06 19	12 mm x 8 mm	361,0	390,0	10
K- 07 10 06 20	12 mm x 8 mm	394,5	436,0	16
K- 07 10 06 21	13,5 mm x 9,5 mm	394,5	436,0	14