

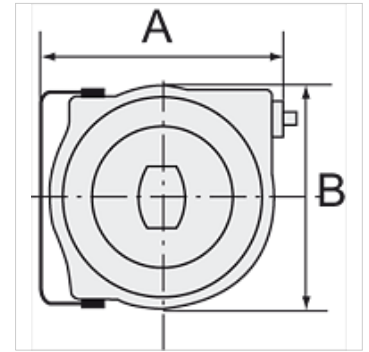
# K-SCHL-AUFROLLER LU WA L

Hose reels for compressed air and water, lightweight type

**HANSA FLEX**

## Properties

Hose material	PVC
Operating pressure	max. 12 bar (K-07100622); max. 20 bar (K-07100623)
Operating temperature	max. +60 °C
Inlet nozzle	G 1/4
Swivel angle	180°



## Note

Further information on request

## Description

High-quality, impact-resistant polypropylene housing. An automatic latching mechanism allows the hose to be engaged at any length. Enclosed spring. Precise locking device for continuous feeding or stop function. Reel guide prevents excessive wear on the hose.

## Item

Identification	Hose size	A (mm)	B (mm)	Hose length (m)
K- 07 10 06 22	12 mm x 8 mm	340,0	311,0	8
K- 07 10 06 23	12 mm x 6 mm	445,0	400,0	15