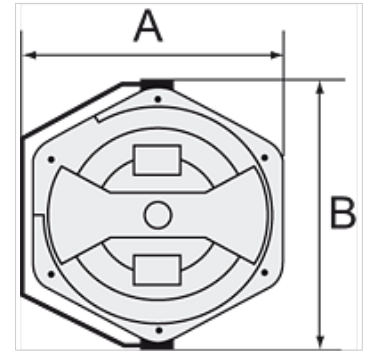


K-SCHL-AUFROLLER LUFT H

Hose reels for compressed air, high flow capacity

Properties

Hose material	Braided polyurethane
Operating pressure	max. 12 bar
Operating temperature	-20 °C to +60 °C
Swivel angle	300°



Note

Further information on request

Description

Specially designed to ensure a high flow capacity. Easy mounting on the wall or ceiling. Closed, rugged, impact-resistant housing made of POM, supply/outlet R 1/4 male thread and lightweight, hard-wearing, oil-resistant polyurethane hose. Incl. 2 m feeder hose.

Item

Identification	Hose size	A (mm)	B (mm)	Hose length (m)
K- 07 10 06 14	16 mm x 11 mm	394,5	436,0	10