

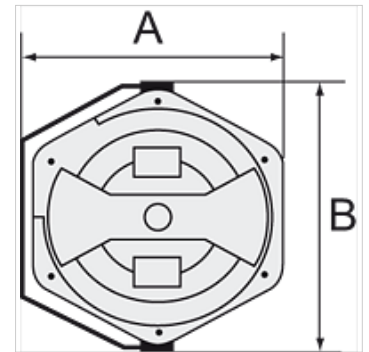
K-SCHL-AUFROLLER WASSER

Hose reels for water

HANSA FLEX

Properties

Hose material	Braided PVC
Operating pressure	Max. 9 bar
Operating temperature	+5 °C to +60 °C
Swivel angle	300°



Note

Further information on request

Description

For easy mounting on the wall or ceiling. Closed, rugged, impact-resistant housing made of POM, supply/outlet R 1/4 male thread and lightweight, hard-wearing, braided PVC hose. Incl. 2 m feeder hose.

Item

Identification	Hose size	A (mm)	B (mm)	Hose length (m)
K- 07 10 06 17	13 mm x 9,5 mm	394,5	436,0	14