

K-SAUGPLATTENAUFHAENGUNG

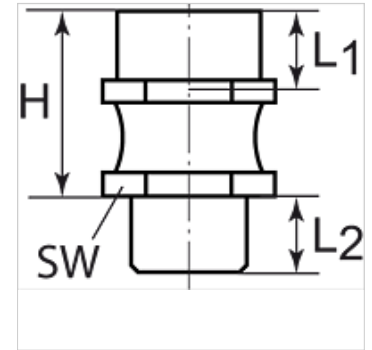
Flexible suction pad mountings

HANSA FLEX

Properties

Application For handling of workpieces with sloping using large-area vacuum gripper
Handling of large plates that can sag when lifting
In combination with spring plungers to compensate height-differences and Unevenness

Special features very good adaptation to oblique workpiece surfaces
automatic Rückstellung in die Ausgangslage
vacuum-tight design with integrated protection against damage



Note

Further information on request

Description

Flexible suction pad mounting. By flexing in all directions, this mounting allows the suction pad to better adapt itself to sloping workpieces.

Item

Identification	Thread 1 female	Thread 2 male	H (mm)	Material	L1 (mm)	L2 (mm)	elbow W (°)	vertical load (N/m ²)	bending moment (N/m ²)	AF (mm)
K- 07 45 01 47	G 1/4	M 10 x 1.25	27,0	Steel, rubber	10,5	8,0	12	500	8,0	17
K- 07 45 01 48	G 1/4	G 1/4	27,0	Steel, rubber	12,0	12,0	12	750	10,0	17