

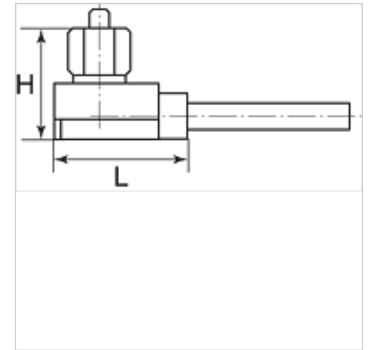
# K-VAKUUMSENSOR ANALOG

Vacuum sensor, analogue

**HANSA FLEX**

## Properties

<b>Application</b>	Measurement of vacuum values close to the suction pad Remote evaluation of the signals Processing the output signals, for example, by PLC
<b>Media</b>	dry, oil-free air and non-aggressive gases
<b>Temp. range</b>	0 - 50 °C
<b>Output signal</b>	1 to 5 analogous to V
<b>Hysteresis</b>	Fixed: 20 mbar (model with digital sensor)
<b>Cable length</b>	3 m
<b>Protection IP</b>	IP 40



## Note

Further information on request

## Description

Mini-sensor with housing and connection cable, analogue or digital output signal. Minimum size and low weight combined with high measuring accuracy.

## Item

Identification	Connection	H (mm)	L (mm)	Measuring range	Voltage
K- 07 45 01 56	M 5 male	16,9	21,0	-1 bis 0 bar	10 - 24 V DC