

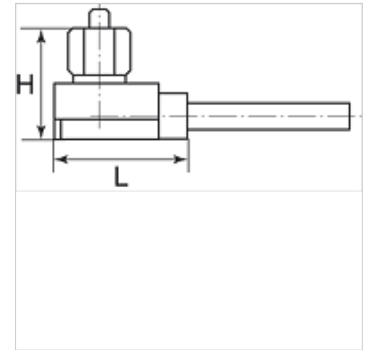
K-VAKUUMSENSOR DIGITAL

Vacuum sensor, digital

HANSA FLEX

Properties

Application	Measurement of vacuum values close to the suction pad Remote evaluation of the signals Processing the output signals, for example, by PLC
Media	dry, oil-free air and non-aggressive gases
Temp. range	0 - 50 °C
Output signal	1 to 5 analogous to V
Hysteresis	Fixed: 20 mbar (model with digital sensor)
Cable length	3 m
Protection IP	IP 40



Note

Further information on request

Description

Mini-sensor with housing and connection cable, analogue or digital output signal. Minimum size and low weight combined with high measuring accuracy.

Item

Identification	Connection	H (mm)	L (mm)	Measuring range	Voltage
K- 07 45 01 57	M 5 male	16,9	21,0	-1 bis 0 bar	10 - 24 V DC