

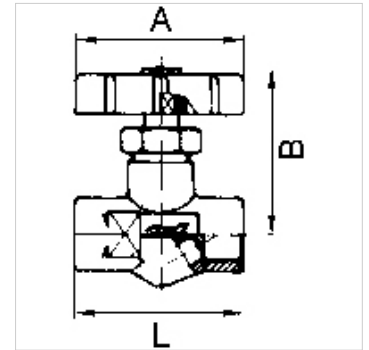
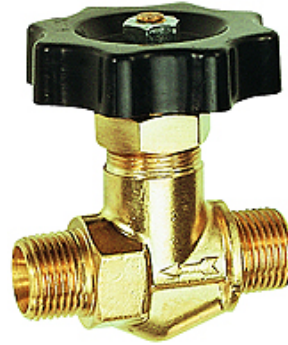
K-ABSPV AG

Globe valves

HANSA FLEX

Properties

Operating pressure	Max. 40 bar
Thread description	With inside cone for ball-type hose fitting
Housing	Brass
Handwheel	Plastic
Spindle	With stainless steel ball



Note

Further information on request

Item

Identification	DN	Thread	A (mm)	B (mm)	L (mm)	AF (mm)
K- 07 30 03 52	6	G 1/4	48,0	50,0	42,0	17
K- 07 30 03 53	8	G 3/8	48,0	55,0	52,0	22
K- 07 30 03 54	11	G 1/2	48,0	65,0	67,0	27