

K-HAND-SCHIEBEVENTIL

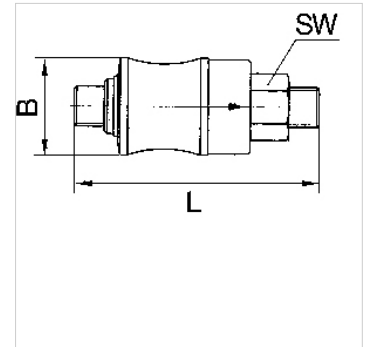
Manual slide valves

HANSA FLEX

Properties

Operating pressure Max. 10 bar

Operating temperature max. +70 °C



Note

Further information on request

Description

For use on devices that have to be vented whenever they are turned off, either because of safety regulations or for technical reasons. The pneumatic devices are disconnected from the system and simultaneously vented each time they are shut off.

Item

Identification	Thread	B (mm)	L (mm)	AF (mm)
K- 07 30 15 92	G 1/8	21,0	67,0	14
K- 07 30 15 93	G 1/4	24,0	77,0	17
K- 07 30 15 94	G 3/8	31,0	87,0	22
K- 07 30 15 95	G 1/2	35,0	104,0	26