

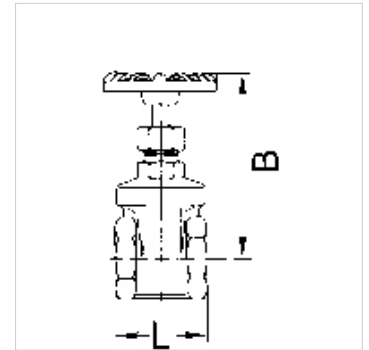
K-MUFFEN ABSPERRVENTIL MS

Female thread globe valves

HANSA FLEX

Properties

Operating pressure	Max. 10 bar
use	Non-corrosive liquids and steam up to +90 °C
Housing, top part	Brass
Seal	NBR



Note

Further information on request

Item

Identification	DN	Thread	B (mm)	L (mm)
K- 07 30 22 23	15	G 1/2	78,0	54,0
K- 07 30 22 24	20	G 3/4	78,0	54,5
K- 07 30 22 25	25	G 1	82,0	61,0
K- 07 30 22 26	32	G 1 1/4	126,0	88,5
K- 07 30 22 27	40	G 1 1/2	128,0	101,0
K- 07 30 22 28	50	G 2	149,0	117,0