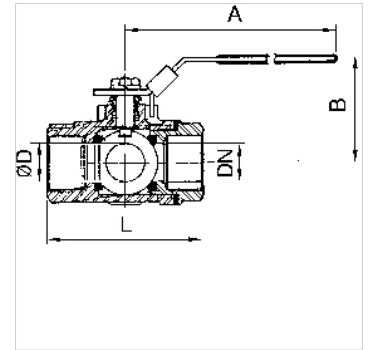


# K-3 BKR L VA

## 3-way ball valves, L-bore

### Properties

<b>Operating pressure</b>	max. 63 bar
<b>Operating temperature</b>	max. 160 °C
<b>Bore</b>	L shaped
<b>Recommended values</b>	Up to 40 °C: 63 bar, 150 °C: 28 bar
<b>Seal</b>	RTFE
<b>Hand lever</b>	Stainless steel
<b>Ball valve</b>	Stainless steel 1.4408



### Note

G thread acc. to DIN EN ISO 228-1, with ISO flange plate (acc. to ISO 5211)  
 Further information on request

### Description

With L-bore, reduced bore. Version for sealing on all sides with integrated ISO flange plate (ISO 5211). The lever can be turned 360° to allow several switching variants.

### Ordering information

For use on devices that have to be vented whenever they are turned off, either because of safety regulations or for technical reasons. The pneumatic devices are disconnected from the system and simultaneously vented each time they are shut off.

### Additional information

G thread acc. DIN EN ISO 228-1

Item	DN	Thread	A (mm)	B (mm)	L (mm)	Ø D (mm)
K- 07 30 15 02	8	G 1/4	114,0	73,0	80,0	11,0
K- 07 30 15 03	10	G 3/8	114,0	73,0	80,0	11,0
K- 07 30 15 04	15	G 1/2	114,0	73,0	80,0	12,5
K- 07 30 15 05	20	G 3/4	133,0	78,0	87,0	16,0
K- 07 30 15 06	25	G 1	133,0	83,0	100,0	20,0
K- 07 30 15 07	32	G 1 1/4	187,0	92,0	123,0	25,0
K- 07 30 15 08	40	G 1 1/2	187,0	98,0	142,0	31,8
K- 07 30 15 09	50	G 2	187,0	126,0	170,0	38,1