

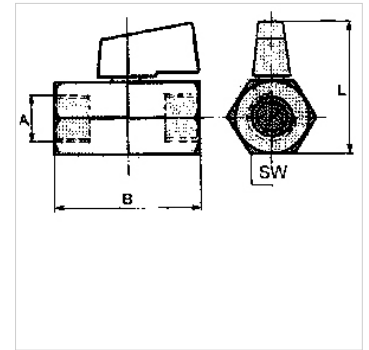
K-BKR MINI GLATTE OBERFLAECHE

Mini ball valves

HANSA FLEX

Properties

Application	Compressed air, water, oils, non-toxic gases
Operating pressure	Max. 10 bar
Media temperature	-10 °C to +80 °C
Housing and ball	Nickel-plated brass
Hand lever, turning handle	Plastic
Ball seals	PTFE
Stem seal	NBR



Note

Further information on request

Item

Identification	Thread	B (mm)	L (mm)	AF (mm)
K- 07 30 20 86	G 1/8 female	39,0	38,0	20
K- 07 30 20 87	G 1/4 female	39,0	38,0	20
K- 07 30 20 88	G 3/8 female	42,0	38,0	20
K- 07 30 20 89	G 1/2 female	47,0	38,0	24
K- 07 30 20 82	G 1/8 female/male	39,0	38,0	20
K- 07 30 20 83	G 1/4 female/male	39,0	38,0	20
K- 07 30 20 84	G 3/8 female / male	40,0	38,0	20
K- 07 30 20 85	G 1/2 female/male	45,0	38,0	24