

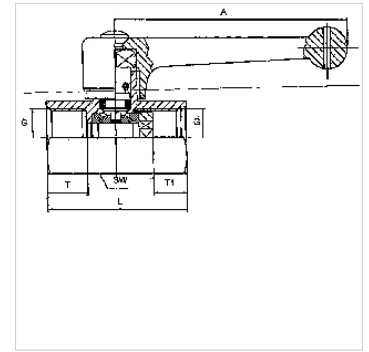
# K-BKR MINI HANDHEBEL

Mini ball valves with hand lever

**HANSA FLEX**

## Properties

<b>Application</b>	Compressed air, water, oils, non-toxic gases
<b>Operating pressure</b>	Max. 10 bar
<b>Media temperature</b>	-10 °C to +90 °C
<b>Housing and ball</b>	Nickel-plated brass
<b>Hand lever, turning handle</b>	Plastic
<b>Ball seals</b>	PTFE
<b>Stem seal</b>	FKM



## Note

Further information on request

## Item

Identification	DN	Thread	A (mm)	L (mm)	AF (mm)	T (mm)	T1 (mm)
K- 07 30 21 16	8	G 1/4 female	68,5	41,5	21	9,0	10,5
K- 07 30 21 17	8	G 3/8 female	68,5	41,5	21	12,0	10,0
K- 07 30 21 18	10	G 1/2 female	68,5	47,0	25	12,5	10,5
K- 07 30 20 90	8	G 1/4 female/male	68,5	41,5	20	9,0	10,5
K- 07 30 20 91	8	G 3/8 female / male	68,5	40,5	21	10,0	10,0
K- 07 30 20 92	10	G 1/2 female/male	68,5	46,5	25	12,0	10,6