

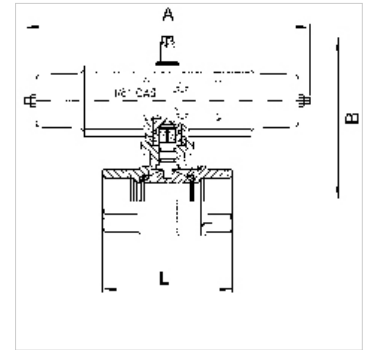
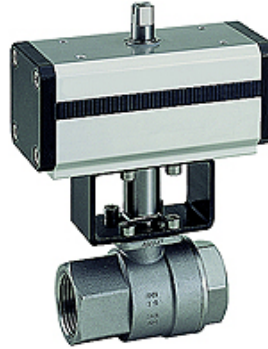
K-BKR DOP VA

Stainless steel ball valves, double-acting actuator

HANSA FLEX

Properties

Design	Pneumatic, double-piston, part-turn actuator, double-rocker principle
Operating pressure	max. 160 bar (G 3/8, G 1/2); max. 100 bar (G 3/4, G 1); max. 60 bar (G 1 1/4, G 1 1/2); max. 40 bar (G 2)
Operating temperature	-20 °C to +150 °C
Angle of rotation	90 °
Pilot pressure	5.6 bar
Valve adapter	Supplied as standard
Temp. range	-20 °C to +80 °C
Drive	aluminium eloxed
Drive seal	NBR
Ball valve	Stainless steel 1.4401/1.4301/1.4310/1.4408, with ISO-flange plate
Ball valve seal	PTFE/FKM



Note

Further information on request

Item

Identification	DN	Thread	A (mm)	B (mm)	L (mm)
K- 07 30 02 52	10	Rp 3/8	114,0	134,0	51,0
K- 07 30 02 53	15	Rp 1/2	114,0	139,0	61,0
K- 07 30 02 54	20	Rp 3/4	130,0	153,0	70,0
K- 07 30 02 55	25	Rp 1	130,0	157,0	85,0
K- 07 30 02 56	32	Rp 1 1/4	144,0	171,0	95,0
K- 07 30 02 57	40	Rp 1 1/2	152,0	181,0	105,0
K- 07 30 02 58	50	Rp 2	169,0	196,0	125,0