

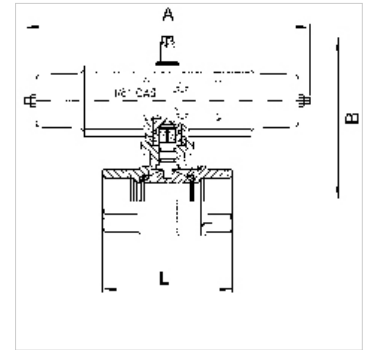
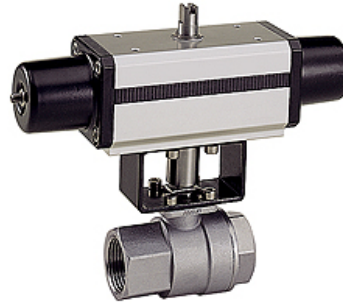
K-BKR EI FED VA

Stainless steel ball valves, single-acting actuator, spring to close

HANSA FLEX

Properties

| | |
|------------------------------|---|
| Design | Pneumatic, double-piston, part-turn actuator, double-rocker principle |
| Operating pressure | max. 160 bar (G 3/8, G 1/2); max. 100 bar (G 3/4, G 1); max. 60 bar (G 1 1/4, G 1 1/2); max. 40 bar (G 2) |
| Operating temperature | -20 °C to +150 °C |
| Angle of rotation | 90 ° |
| Pilot pressure | 5.6 bar |
| Valve adapter | Supplied as standard |
| Temp. range | -20 °C to +80 °C |
| Drive | aluminium eloxed |
| Drive seal | NBR |
| Ball valve | Stainless steel 1.4401/1.4301/1.4310/1.4408, with ISO-flange plate |
| Ball valve seal | PTFE/FKM |



Note

Further information on request

Item

| Identification | DN | Thread | A (mm) | B (mm) | L (mm) |
|----------------|----|----------|-----------|-----------|-----------|
| K- 07 30 02 68 | 10 | Rp 3/8 | 221,0 | 142,0 | 51,0 |
| K- 07 30 02 69 | 15 | Rp 1/2 | 221,0 | 147,0 | 61,0 |
| K- 07 30 02 70 | 20 | Rp 3/4 | 240,0 | 163,0 | 70,0 |
| K- 07 30 02 71 | 25 | Rp 1 | 240,0 | 167,0 | 85,0 |
| K- 07 30 02 72 | 32 | Rp 1 1/4 | 294,0 | 183,0 | 95,0 |
| K- 07 30 02 73 | 40 | Rp 1 1/2 | 320,0 | 207,0 | 105,0 |
| K- 07 30 02 74 | 50 | Rp 2 | 357,0 | 234,0 | 125,0 |