

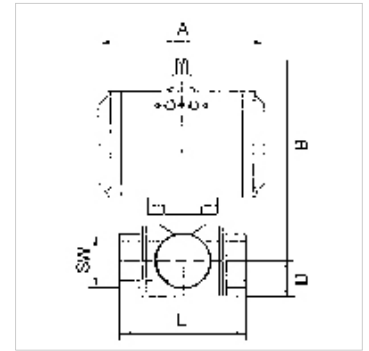
# K-3 BKR STELLANTR E T MS

Brass ball valves, 3-way, with double-acting actuator, T-bore, normal position



## Properties

|                              |   |
|------------------------------|---|
| <b>Design</b>                | Pneumatic actuators, in double- or single acting version, with integrated end-position feedback |
| <b>Bore</b>                  | T shaped  |
| <b>Operating temperature</b> | -20 °C to +70 °C  |
| <b>Angle of rotation</b>     | 90 °  |
| <b>Pilot pressure</b>        | 5.5 bar   |
| <b>Valve adapter</b>         | Supplied as standard  |
| <b>Drive</b>                 | aluminium eloxed  |
| <b>Drive seal</b>            | NBR   |
| <b>Ball valve</b>            | Chrome-plated brass, with ISO-flange plate  |
| <b>Ball valve seal</b>       | PTFE/FKM  |



## Note

G thread acc. to DIN EN ISO 228-1, with ISO flange plate (acc. to ISO 5211)  
Further information on request

## Description

3-way cock, T-bore, full bore

## Additional information

Other T-positions on request

## Item

| Identification | DN | Thread   | Position | PN (bar) | A (mm) | B (mm) | D (mm) | L (mm) | AF (mm) |
|----------------|----|----------|----------|----------|--------|--------|--------|--------|---------|
| K- 07 30 03 17 | 15 | Rp 1/2   | T 3      | 40       | 133,0  | 142,0  | 20,0   | 64,5   | 25      |
| K- 07 30 03 18 | 20 | Rp 3/4   | T 3      | 40       | 133,0  | 146,0  | 24,0   | 76,0   | 31      |
| K- 07 30 03 19 | 25 | Rp 1     | T 3      | 40       | 133,0  | 150,5  | 30,0   | 97,0   | 41      |
| K- 07 30 03 20 | 32 | Rp 1 1/4 | T 3      | 40       | 161,0  | 191,5  | 37,0   | 118,0  | 55      |
| K- 07 30 03 21 | 40 | Rp 1 1/2 | T 3      | 25       | 180,0  | 193,5  | 43,0   | 133,0  | 55      |
| K- 07 30 03 22 | 50 | Rp 2     | T 3      | 25       | 209,0  | 221,0  | 56,0   | 157,0  | 67      |