

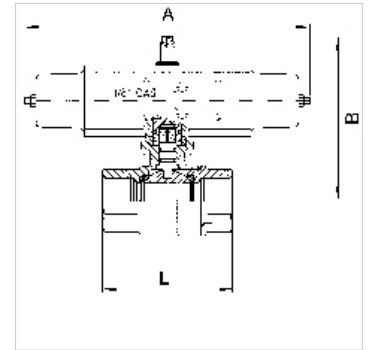
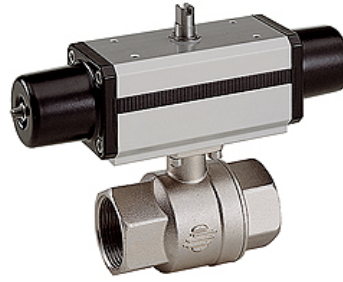
# K-BKR ANTR D FEDER MS

Brass ball valves, single-acting actuator - spring to close

**HANSA FLEX**

## Properties

<b>Design</b>	Pneumatic, double-piston, part-turn actuator, double-rocker principle
<b>Operating pressure</b>	Max. 16 bar
<b>Operating temperature</b>	-20 °C to +150 °C
<b>Angle of rotation</b>	90 °
<b>Pilot pressure</b>	5.6 bar
<b>Valve adapter</b>	Supplied as standard
<b>Temp. range</b>	-20 °C to +80 °C
<b>Drive</b>	aluminium eloxed
<b>Drive seal</b>	NBR
<b>Ball valve</b>	Chrome-plated brass, with ISO-flange plate
<b>Ball valve seal</b>	PTFE/FKM



## Note

Further information on request

## Item

Identification	DN	Thread	A (mm)	B (mm)	L (mm)
K- 07 30 02 35	10	Rp 3/8	221,0	110,0	69,0
K- 07 30 02 36	15	Rp 1/2	221,0	110,0	69,0
K- 07 30 02 37	20	Rp 3/4	221,0	117,0	77,0
K- 07 30 02 38	25	Rp 1	221,0	121,0	89,0
K- 07 30 02 39	32	Rp 1 1/4	221,0	131,0	103,0
K- 07 30 02 40	40	Rp 1 1/2	221,0	137,0	114,0
K- 07 30 02 41	50	Rp 2	240,0	155,0	134,0