

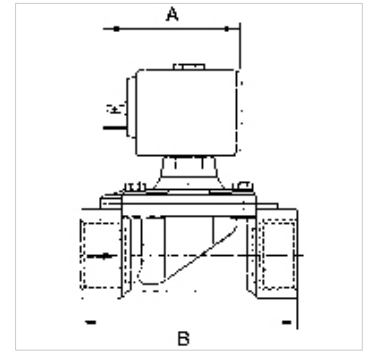
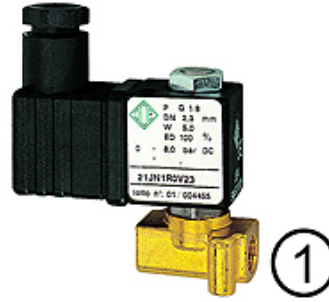
K-MV G D 230 V, 50 - 60 HZ 1

Normally closed, directly operated, 230 V, 50 to 60 Hz

HANSA FLEX

Properties

Electrical connection	For connector socket Pg 9/Pg 11, acc. to ISO 4400
Protection IP	IP65 (with connector socket fitted)
Media temperature	-10 °C to +90 °C (NBR); -10 °C bis +140 °C (FKM)
Housing, valve seat	Brass
Internal parts	Stainless steel
Seal	Perbunan (NBR) or FKM



Note

Further information on request

Description

Economy series available in three different versions: Directly operated, Combined operation, Pilot-operated. For all applications with compressed air, neutral gases or low-viscosity, neutral media.

Item

Identification	Thread	Max. working pressure (bar)	DN	Sealant	A (mm)	B (mm)	Type
K- 07 30 22 39	G 1/8	18	2,3	FKM	41,0	30,0	1
K- 07 30 22 40	G 1/8	6	2,3	FKM	41,0	30,0	1
K- 07 30 22 41	G 1/8	14	2,5	FKM	54,0	40,0	2
K- 07 30 22 42	G 1/8	10	3,0	FKM	54,0	40,0	2
K- 07 30 22 43	G 1/4	14	2,5	FKM	54,0	40,0	2
K- 07 30 22 44	G 1/4	10	3,0	FKM	54,0	40,0	2
K- 07 30 22 45	G 1/4	5	4,5	FKM	54,0	40,0	2