

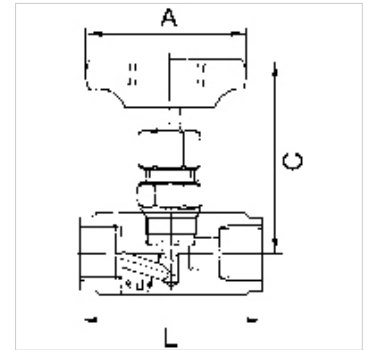
K-NADELVENTILE VA

Needle valves

HANSA FLEX

Properties

Operating pressure	max. 400 bar (at 20 °C); max. 250 bar (at G 1 - 20 °C)
Operating temperature	-20 °C to +120 °C
Sealant	PTFE
Housing	Stainless steel 1.4571
Handwheel	Plastic
Material	sealing: PTFE



Note

G thread acc. to DIN EN ISO 228-1, with ISO flange plate (acc. to ISO 5211)
Further information on request

Ordering information

For use on devices that have to be vented whenever they are turned off, either because of safety regulations or for technical reasons. The pneumatic devices are disconnected from the system and simultaneously vented each time they are shut off.

Additional information

Port sizes G 1 1/4, G 1 1/2 and G 2 available on request

Item

Identification	DN	Thread	A (mm)	C (mm)	L (mm)
K- 07 30 24 03	4	G 1/8	50,0	74,0	50,0
K- 07 30 24 04	5	G 1/4	50,0	73,0	50,0
K- 07 30 24 05	6	G 3/8	50,0	72,0	55,0
K- 07 30 24 06	8	G 1/2	63,0	83,0	60,0
K- 07 30 24 07	10	G 3/4	63,0	100,0	75,0
K- 07 30 24 08	12	G 1	80,0	110,0	100,0