

# K-RD SCHRAEGSITZ MS

Unidirectional valves

**HANSA FLEX**

## Properties

**Operating pressure** Max. 10 bar

**Thread description** Rp thread acc. to DIN 2999

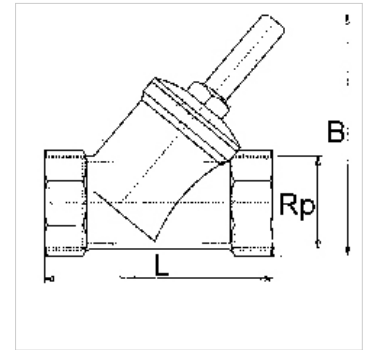
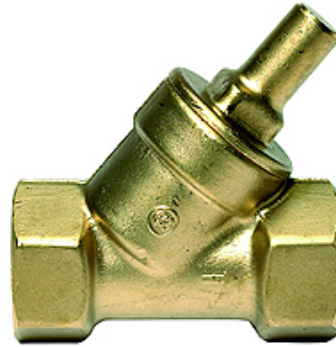
**Media temperature** max. +80 °C

**Opening pressure** min. 0.5 bar

**Ambient temperature** Max. +80 °C

**Sealant** NBR

**Housing** Brass



## Note

Further information on request

## Item

Identification	Thread	B (mm)	L (mm)	AF (mm)
K- 07 30 24 75	Rp 3/8	50,0	55,0	27
K- 07 30 24 76	Rp 1/2	50,0	59,0	27
K- 07 30 24 77	Rp 3/4	60,0	67,0	32
K- 07 30 24 78	Rp 1	71,0	83,0	38
K- 07 30 24 79	Rp 1 1/4	97,0	96,0	48
K- 07 30 24 80	Rp 1 1/2	114,0	106,0	54
K- 07 30 24 81	Rp 2	135,0	130,0	68