

K-T EINSCHRAUBVERTEILER

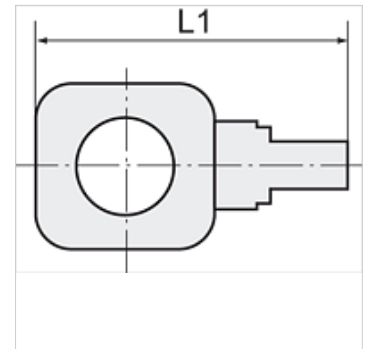
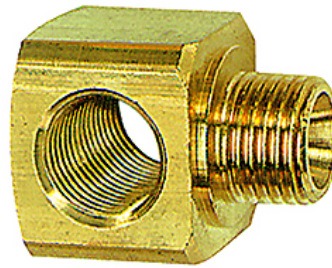
Male tee distributors

HANSA FLEX

Properties

Operating pressure Max. 10 bar

Material Brass



Note

Further information on request

Item

Identification	Thread	L1 (mm)	AF
K- 07 40 35 98	M 5	14,0	10 mm
K- 07 40 35 99	G 1/8	23,0	17 mm
K- 07 40 36 00	G 1/4	29,0	22 mm
K- 07 40 36 01	G 3/8	32,0	27 mm