

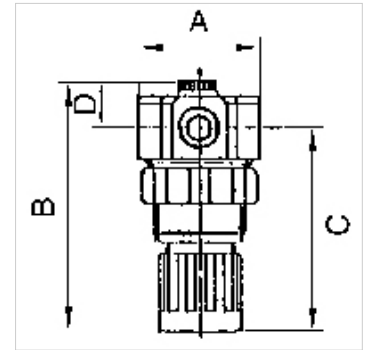
K-DRG MEMBRAN O SEKUNDAERENTL MANO

Pressure regulators with pressure gauge

HANSA FLEX

Properties

Input pressure	Max. 25 bar
Media temperature	max. 50 °C
Ambient temperature	Max. 50 °C
Flow rate	3.5 l/min
Sealant	NBR
Spring bonnet	POM
Housing	Brass
Diaphragm	NBR
Flow rate measurement	At P1 = 7 bar, P2 = 5 bar (water) and pressure drop $\Delta p \leq 1$ bar



Note

Further information on request

Description

Diaphragm pressure regulators with non-self relieving design for water, compressed air and non-aggressive gases.

Item

Identification	Thread	Control range	A (mm)	B	C (mm)	D (mm)
K- 07 25 04 75	G 1/4	0.1 - 3 bar	40,0	78.0 mm	63,0	15,0
K- 07 25 04 76	G 1/4	0.2 - 6 bar	40,0	78.0 mm	63,0	15,0
K- 07 25 04 77	G 1/4	0.5 - 10 bar	40,0	78.0 mm	63,0	15,0

Spare parts

K-HALTERBAUSATZ	Holder
K-SCHALTTAFELMUTTER	Nut
K-VERSCHLEI-SATZ	Set of wearing parts