

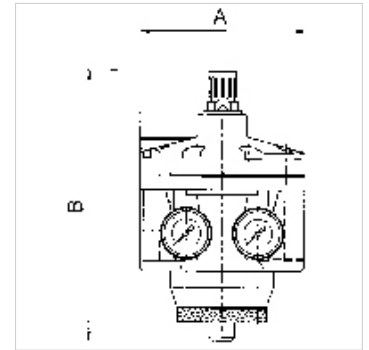
# K-HOCHLEIST DRUCKREGLER

Heavy-duty pressure regulators

**HANSA FLEX**

## Properties

Input pressure	Max. 25 bar
Media temperature	max. 60 °C
Ambient temperature	Max. 60 °C
Flow rate	50000 l/min
Sealant	NBR
Housing	Aluminium, painted silver
Flow rate measurement	At P1 = 8 bar, P2 = 6 bar and pressure drop $\Delta p$ = 1 bar



## Note

Further information on request

## Description

Diaphragm pressure regulators, independent of inlet pressure, with internal pilot control and self-relieving design for very high flow rates. Separate indication of input and working pressure on two pressure gauges. The pressure setting can be locked by pushing the knob down. We recommend always using these controllers in conjunction with our K-07250607 and K-07250609 filters.

## Item

Identification	Thread	Control range	A (mm)	B	DN
K- 07 25 08 03	G 1 1/2	0.1 - 3 bar	188,0	261.0 mm	50
K- 07 25 08 04	G 1 1/2	0.2 - 6 bar	188,0	261.0 mm	50
K- 07 25 08 05	G 1 1/2	0.5 - 10 bar	188,0	261.0 mm	50
K- 07 25 08 06	G 1 1/2	0.5 - 16 bar	188,0	261.0 mm	50
K- 07 25 08 07	G 2	0.1 - 3 bar	160,0	261.0 mm	50
K- 07 25 08 08	G 2	0.2 - 6 bar	160,0	261.0 mm	50
K- 07 25 08 09	G 2	0.5 - 10 bar	160,0	261.0 mm	50
K- 07 25 08 10	G 2	0.5 - 16 bar	160,0	261.0 mm	50

## Spare parts

K-VERSCHLEI-SATZ	Set of wearing parts
K-LOESBARE DOPPELNIPPEL MS	Double nipples