

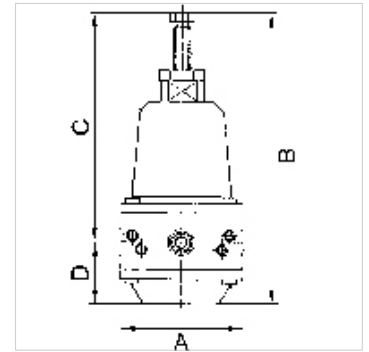
K-PRAEZI DRUCKREGLER MEM

Precision pressure regulators

HANSA FLEX

Properties

Input pressure	Max. 16 bar
Media temperature	max. 60 °C
Ambient temperature	Max. 60 °C
Media	Micro-filtered, unooled compressed air (0.01 µm)
Port for pressure gauge	G 1/4
Sealant	NBR
Housing	Die-cast zinc
Internal air consumption	0.01 l/min, depending on input pressure and control range



Note

The given flow rates are based on the following parameters: 750 l/min: P1: 8 bar, P2: 2 bar, $\Delta p \leq 0.2$ bar

750 l/min: P1: 8 bar, P2: 3 bar, $\Delta p \leq 0.5$ bar

750 l/min: P1: 8 bar, P2: 5 bar, $\Delta p \leq 0.7$ bar

Further information on request

Description

Diaphragm pressure regulators containing no non-ferrous metals, with self-relieving design for applications requiring an precise working pressure.

Additional information

1500 l/min: P1: 10 bar, P2: 7 bar, $\Delta p \leq 0.1$ bar.

Item

Identification	Thread	Control range	Flow rate (L/min)	A (mm)	B	C (mm)	D (mm)
K- 07 25 09 36	G 1/4	0.1 - 2 bar	750	60,0	152.0 mm	120,0	32,0
K- 07 25 09 37	G 1/4	0.1 - 3 bar	750	60,0	152.0 mm	120,0	32,0
K- 07 25 09 38	G 1/4	0.2 - 5 bar	750	60,0	152.0 mm	120,0	32,0

Spare parts

K-HALTERBAUSATZ STANDARD	Holder
K-VERSCHLEI-SATZ	Set of wearing parts
K-FILTERELEMENT	Filter element
K-XV AGM 2	Double nipples, parallel male thread