

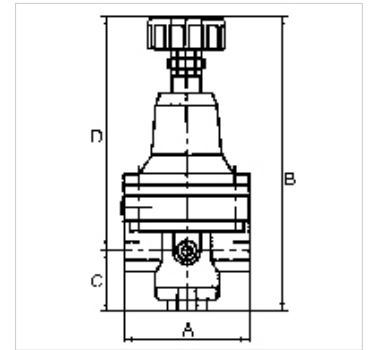
# K-PRAEZI DRUCKREGLER SELU

Precision pressure regulators

**HANSA FLEX**

## Properties

<b>Input pressure</b>	Max. 16 bar
<b>Media temperature</b>	max. 60 °C
<b>Ambient temperature</b>	Max. 60 °C
<b>Media</b>	Micro-filtered, unoiled compressed air (0.01 µm)
<b>Port for pressure gauge</b>	G 1/4
<b>Vent port</b>	G 3/8 (for mounting a silencer)
<b>Sealant</b>	NBR
<b>Housing</b>	Die-cast zinc
<b>Internal air consumption</b>	1.5 - 6 l/min, depending on input pressure and control range



## Note

The given flow rates are based on the following parameters: 1200 l/min: P1: 5 bar, P2: 3 bar,  $\Delta p \leq 0.1$  bar

1400 l/min: P1: 7 bar, P2: 5 bar,  $\Delta p \leq 0.1$  bar

1500 l/min: P1: 10 bar, P2: 7 bar,  $\Delta p \leq 0.1$  bar. Wear parts kit not supplied! Pressure regulator may only be opened in the factory!

Further information on request

## Description

With high flow rate and large secondary relief port. Diaphragm pressure regulators with large secondary relief port for applications requiring an extremely accurate working pressure, especially at high flow rates.

## Additional information

on Art. K-07250721: Max. inlet pressure 300 bar. Other cylinder pressure regulators available on request.

1500 l/min: P1: 10 bar, P2: 7 bar,  $\Delta p \leq 0.1$  bar.

## Item

Identification	Thread	Control range	Flow rate (L/min)	A (mm)	C (mm)	D (mm)
K- 07 25 09 28	G 1/4	0.05 - 3 bar	700	82,0	43,5	159,0
K- 07 25 09 29	G 1/4	0.05 - 7 bar	1500	82,0	43,5	159,0
K- 07 25 09 30	G 3/8	0.05 - 3 bar	3000	82,0	43,5	159,0
K- 07 25 09 31	G 3/8	0.05 - 7 bar	5500	82,0	43,5	159,0
K- 07 25 09 32	G 1/2	0.05 - 3 bar	3000	82,0	43,5	159,0
K- 07 25 09 33	G 1/2	0.05 - 5 bar	4500	82,0	43,5	159,0
K- 07 25 09 34	G 1/2	0.05 - 7 bar	5500	82,0	43,5	159,0

## Spare parts

K-HALTERBAUSATZ STANDARD	Holder
K-KM MS	Hexagonal lock nuts, brass
K-SCHALLDAEPFER VYON	Vyon silencers
K-FILTERELEMENT	Filter element
K-XV AGM 2	Double nipples, parallel male thread