

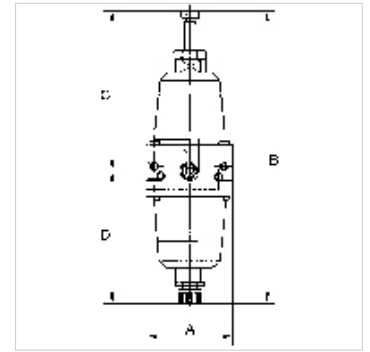
K-PRAEZISIONSFILTERREGLER

Precision filter regulators

HANSA FLEX

Properties

Input pressure	Max. 16 bar
Media temperature	max. 60 °C
Ambient temperature	Max. 60 °C
Media	Micro-filtered, unoiled compressed air (0.01 µm)
Port for pressure gauge	G 1/4
Pore size in filter element	10 µm
Sealant	NBR
Housing	Die-cast zinc
Internal air consumption	0.01 l/min, depending on input pressure and control range



Note

The given flow rates are based on the following parameters: 750 l/min: P1: 8 bar, P2: 2 bar, $\Delta p \leq 0.2$ bar

750 l/min: P1: 8 bar, P2: 3 bar, $\Delta p \leq 0.5$ bar

750 l/min: P1: 8 bar, P2: 5 bar, $\Delta p \leq 0.7$ bar

Further information on request

Description

Diaphragm pressure regulators containing no non-ferrous metals, with selfrelieving design, combined with a centrifugal separator for applications requiring an extremely accurate working pressure.

Additional information

1500 l/min: P1: 10 bar, P2: 7 bar, $\Delta p \leq 0.1$ bar.

Item

Identification	Thread	Control range	Flow rate (L/min)	A (mm)	B	C (mm)	D (mm)
K- 07 25 09 86	G 1/4	0.1 - 2 bar	750	60,0	216.0 mm	120,0	96,0
K- 07 25 09 87	G 1/4	0.1 - 3 bar	750	60,0	216.0 mm	120,0	96,0
K- 07 25 09 88	G 1/4	0.2 - 5 bar	750	60,0	216.0 mm	120,0	96,0

Spare parts

K-HALTERBAUSATZ STANDARD	Holder
K-VERSCHLEI-SATZ	Set of wearing parts