

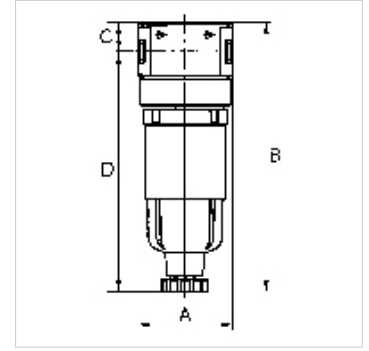
# K-FI MIKRO PC-BEHAEL MULTIFIX MINI

Micro-filters with polycarbonate bowl

**HANSA FLEX**

## Properties

<b>Input pressure</b>	Max. 16 bar
<b>Media temperature</b>	max. 60 °C
<b>Ambient temperature</b>	Max. 60 °C
<b>Filter rating</b>	0,01 µm
<b>Efficiency</b>	99.999 %
<b>Sealant</b>	NBR
<b>Filter insert</b>	Borosilicate-POM
<b>Housing</b>	Die-cast zinc
<b>Drain valve</b>	Semi-automatic
<b>Flow rate measurement</b>	FM at P1 = 6 bar and pressure drop $\Delta p = 0.09$ bar



## Note

If several devices in the »multifix-mini« Series are assembled together, the maximum working pressure is 12 bar.  
Further information on request

## Description

Micro-filters for compliance with strict compressed air purity requirements. Suitable for all applications where standard filters do not afford the desired efficiency.

## Item

Identification	Thread	Flow rate (L/min)	A (mm)	B	C (mm)	D (mm)	DN
K- 07 25 10 54	G 1/8	230	40,0	114.8 mm	12,3	102,5	5
K- 07 25 10 56	G 1/4	450	40,0	138.1 mm	12,3	125,8	5

## Spare parts

K-AUTOMAT ABLASSVENTIL	Automatic drain valve
K-KOPPELPAKET MEHR	Coupling packet