

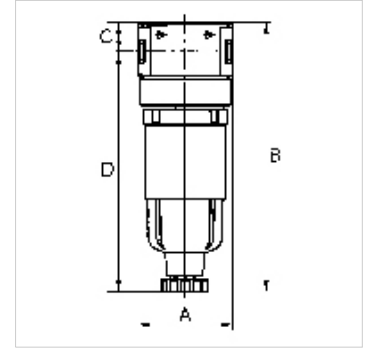
# K-VORFI PC-BEHÄLTER MULTIFIX MINI

Pre-filters with polycarbonate bowl

**HANSA FLEX**

## Properties

|                              |  |
|------------------------------|--|
| <b>Input pressure</b>        | Max. 16 bar  |
| <b>Media temperature</b>     | max. 60 °C   |
| <b>Ambient temperature</b>   | Max. 60 °C   |
| <b>Filter rating</b>         | 0,30 µm  |
| <b>Efficiency</b>            | 99.999 %   |
| <b>Sealant</b>               | NBR  |
| <b>Filter insert</b>         | Paper-POM  |
| <b>Housing</b>               | Die-cast zinc  |
| <b>Drain valve</b>           | Semi-automatic   |
| <b>Flow rate measurement</b> | FV at P1 = 6 bar and pressure drop $\Delta p = 0.02$ bar |



## Note

If several devices in the »multifix-mini« Series are assembled together, the maximum working pressure is 12 bar.  
Further information on request

## Description

Micro-filters for compliance with strict compressed air purity requirements. Suitable for all applications where standard filters do not afford the desired efficiency.

## Item

| Identification | Thread | Flow rate (L/min) | A (mm) | B        | C (mm) | D (mm) | DN |
|----------------|--------|-------------------|--------|----------|--------|--------|----|
| K- 07 25 10 64 | G 1/8  | 130               | 40,0   | 114.8 mm | 12,3   | 102,5  | 5  |
| K- 07 25 10 66 | G 1/4  | 160               | 40,0   | 138.1 mm | 12,3   | 125,8  | 5  |

## Spare parts

|                        |                       |
|------------------------|-----------------------|
| K-AUTOMAT ABLASSVENTIL | Automatic drain valve |
| K-KOPPELPAKET MEHR     | Coupling packet       |