

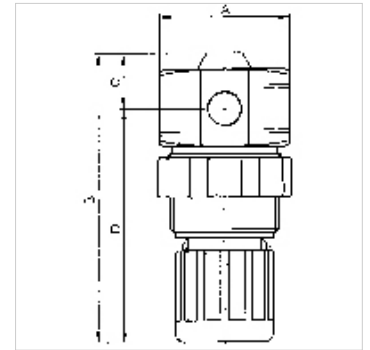
K-DRG FLUESSIGE MEDIEN O MANO VA

Stainless steel pressure regulators 1.4571

HANSA FLEX

Properties

Input pressure	Max. 25 bar
Media temperature	max. 80 °C
Ambient temperature	Max. 80 °C
Sealant	FKM
Compression spring	Stainless steel (10 bar variant), Steel (2 and 6 bar variants)
Housing	Stainless steel V4A (1.4571)
Internal parts	Stainless steel V4A (1.4571)
Diaphragm	FKM
Flow rate measurement	At P1 = 8 bar, P2 = 6 bar and pressure drop $\Delta p \leq 1$ bar



Note

Further information on request

Description

Diaphragm pressure regulators with non-self-relieving design. The pressure setting can be locked by pushing the knob down.

Item

Identification	Thread	Control range	Flow rate (L/min)	A (mm)	B	C (mm)	D (mm)
K- 07 25 02 12	G 1/4	0.1 - 2 bar	400	36,0	81.0 mm	16,0	65,0
K- 07 25 02 13	G 1/4	0.2 - 6 bar	400	36,0	81.0 mm	16,0	65,0
K- 07 25 02 14	G 1/4	0.5 - 10 bar	350	36,0	81.0 mm	16,0	65,0

Spare parts

K-HALTERBAUSATZ	Holder
K-MANO 3	Pressure gauge
K-VERSCHLEI-SATZ	Set of wearing parts