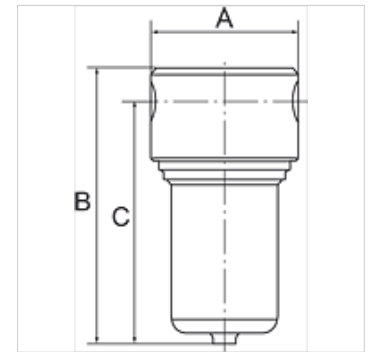


K-FI VA

Filters

Properties

Input pressure	Max. 50 bar
Media temperature	max. 80 °C
Ambient temperature	Max. 80 °C
Pore size in filter element	50 µm
Sealant	FKM
Material	stainless steel 1.4404 (AISI 316L)
Drain valve	Locking screw
Flow rate measurement	At P1 = 6 bar and pressure drop $\Delta p \leq 0.6$ bar



Note

Further information on request

Description

Stainless steel filters containing no non-ferrous metals for use in the food processing, chemical, mining, plant construction and special machinery industries as well as in the medical technology.

Ordering information

Important: This is not a sterile filter! With filter element 5 µm available on request. With manual or fully automatic drain valve on request. With NPT threads available on request.

Item

Identification	Thread	Flow rate (L/min)	A (mm)	B	C (mm)
K- 07 25 05 59	G 1/4	2500	64,0	139.0 mm	125,0
K- 07 25 05 58	G 1/2	3400	80,0	150.0 mm	130,0

Accessories

K-HALTERBAUSATZ Holder

Spare parts

K-VERSCHLEI-SATZ Set of wearing parts