

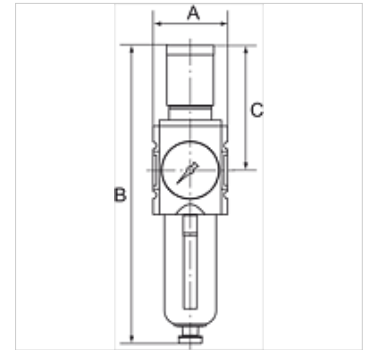
K-FI REGL PC-BEHÄLTER S MANO HANSA

Filter regulators

HANSA FLEX

Properties

Input pressure	1.5 - 16 bar
Output pressure	0.5 - 8 bar
Temp. range	-10 °C to +50 °C
Media	Compressed air
Filter rating	5,00 µm
Connection thread	Material: Die-cast zinc
Container	Polycarbonate (with bayonet lock)
Filter element	Cellpor (PE)
Housing	Material: Grivory® (PA 66)
Diaphragm	NBR
Internal air consumption	Max. 1.5 l/min (depending on secondary pressure)
Flow rate measurement	At P1 = 10 bar, P2 = 6.3 bar and pressure drop $\Delta p = 1$ bar



Note

Further information on request

Description

Filter regulators with excellent flow rates in modern design. The regulator knob can be latched and locked.

Ordering information

The price does not include a key lock. Please order separately.

Item

Identification	Thread	Flow rate (L/min)	A (mm)	B	C (mm)	Size	condensate outlet
K- 07 25 06 57	G 1/4	2200	52,0	225.0 mm	95,5	-	Semi
K- 07 25 06 58	G 3/8	2600	52,0	225.0 mm	95,5	-	Semi
K- 07 25 06 59	G 3/8	4300	63,0	257.0 mm	110,0	-	Semi
K- 07 25 06 60	G 1/2	5200	63,0	257.0 mm	110,0	-	Semi
K- 07 25 06 53	G 3/4	14000	85,0	329.0 mm	137,0	-	Semi
K- 07 25 06 54	G 1	14000	85,0	329.0 mm	137,0	-	Semi
K- 07 25 06 61	G 1/4	2200	52,0	243.0 mm	95,5	-	Auto
K- 07 25 06 62	G 3/8	2600	52,0	243.0 mm	95,5	-	Auto
K- 07 25 06 63	G 3/8	4300	63,0	274.0 mm	110,0	-	Auto
K- 07 25 06 64	G 1/2	5200	63,0	274.0 mm	110,0	-	Auto
K- 07 25 06 55	G 3/4	14000	85,0	343.0 mm	137,0	4	Auto
K- 07 25 06 56	G 1	14000	85,0	343.0 mm	137,0	4	Auto

Accessories

K-STECKSCHLOSS Key lock

Spare parts

K-HALTERBAUSATZ HANSA	Holder HANSA
K-ERSATZBEHÄLTER HANSA POLY	Spare tank HANSA polycarbonat
K-SCHALTTAFELMUTTER HANSA	Nut HANSA
K-FILTERELEMENT	Filter element
K-DICHTSATZ HANSA	Set of seals HANSA