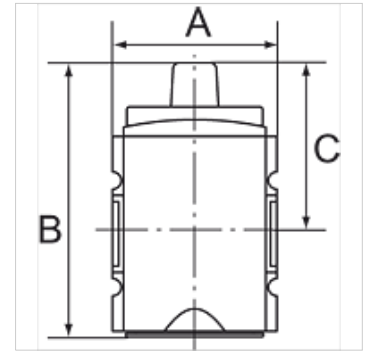


K-3/2-BKR HANSA

Ball valves

Properties

Input pressure	0 - 16 bar
Temp. range	-10 °C to +50 °C
Media	Compressed air
Connection thread	Material: Die-cast zinc
Housing	Material: Grivory® (PA 66)
Flow rate measurement	At P2 = 6 bar, pressure drop $\Delta p = 1$ bar



Note

Further information on request

Description

Closable ball valve in 3/2-way design, mechanically actuated. Toggle 90° rotatable and with switch position indicator: Traverse: Inlet port blocked - outlet port exhausted

Longitudinal: Inlet port and outlet port connected - exhaust blocked. Exhaust air can be collected.

Additional information

The price does not include a padlock. Please order separately.

Item

Identification	Thread	Outlet	Flow rate (L/min)	A (mm)	B	C (mm)
K- 07 25 11 23	G 1/4	1/4	1900	52,0	87.5 mm	54,5
K- 07 25 11 24	G 3/8	1/4	1900	52,0	87.5 mm	54,5
K- 07 25 11 43	G 3/8	1/2	11000	63,0	127.0 mm	70,5
K- 07 25 11 44	G 1/2	1/2	11000	63,0	127.0 mm	70,5
K- 07 25 11 45	G 3/4	3/4	25000	85,0	144.7 mm	93,7
K- 07 25 11 46	G 1	3/4	25000	85,0	144.7 mm	93,7

Accessories

K-VORHAENGESCHLOSS Padlock

Spare parts

K-HALTERBAUSATZ HANSA Holder HANSA