

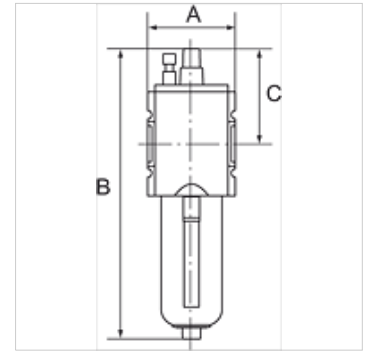
K-NEBELOEL PC-BEHÄEL SCHUTZK HANSA

Oil-mist lubricators

HANSA FLEX

Properties

Input pressure	0.5 - 16 bar
Temp. range	-10 °C to +50 °C
Media	Compressed air
Sealant	NBR
Connection thread	Material: Die-cast zinc
Container	Polycarbonate (with bayonet lock)
Housing	Material: Grivory® (PA 66)
Protective cage	Polyamide
Dropper	PA
Oil grade	CL 32 acc. to DIN 51517 - ISO VG 32
Flow rate measurement	At P2 = 6 bar, pressure drop $\Delta p = 1$ bar



Note

Further information on request

Description

Oil-mist lubricators with excellent flow rates in modern design. These devices can be used to top up oil automatically. A hose must be connected to the threaded nipple on the oil bowl for this purpose. When the oil filling button on the top of the device is pressed, a Venturi nozzle opens and sucks oil into the bowl under vacuum.

Item	Identification	Thread	Flow rate (L/min)	A (mm)	B (mm)	C (mm)
	K- 07 25 08 79	G 1/4	2800	52,0	183.0 mm	62,2
	K- 07 25 08 80	G 3/8	2800	52,0	183.0 mm	62,2
	K- 07 25 08 81	G 3/8	8000	63,0	208.2 mm	69,7
	K- 07 25 08 82	G 1/2	8000	63,0	208.2 mm	69,7
	K- 07 25 08 77	G 3/4	16000	85,0	270.4 mm	87,9
	K- 07 25 08 78	G 1	16000	85,0	270.4 mm	87,9

Spare parts

K-HALTERBAUSATZ HANSA	Holder HANSA
K-ERSATZBEHÄELTER HANSA POLY	Spare tank HANSA polycarbonat
K-TROPFAUFSATZ HANSA	Drip attachment HANSA