

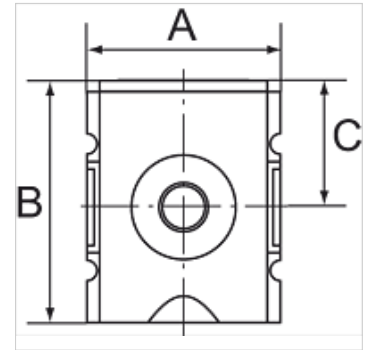
# K-VERTEILER HANSA

Manifolds

**HANSA FLEX**

## Properties

<b>Input pressure</b>	0 - 16 bar
<b>Temp. range</b>	-10 °C to +50 °C
<b>Media</b>	Compressed air
<b>Connection thread</b>	Material: Die-cast zinc
<b>Housing</b>	Material: Grivory® (PA 66)



## Note

Further information on request

## Item

Identification	Outlets	Thread	Flow rate (L/min)	A (mm)	B	C (mm)
K- 07 25 11 17	3 x G 1/4	G 1/4	2700	52,0	65.5 mm	34,5
K- 07 25 11 18	3 x G 1/4	G 3/8	3600	52,0	65.5 mm	34,5
K- 07 25 11 19	2 x G 3/8, 1 x G 1/4, 1 x G 1/2	G 3/8	7250	63,0	80.5 mm	43,0
K- 07 25 11 20	2 x G 3/8, 1 x G 1/4, 1 x G 1/2	G 1/2	7250	63,0	80.5 mm	43,0
K- 07 25 11 21	2 x G 3/4	G 3/4	18000	85,0	109.5 mm	58,5
K- 07 25 11 22	2 x G 3/4	G 1	18000	85,0	109.5 mm	58,5

## Spare parts

K-HALTERBAUSATZ HANSA	Holder HANSA
K-ERSATZBEHAELTER HANSA POLY	Spare tank HANSA polycarbonat
K-GERAETESTECKER	Coupling socket