

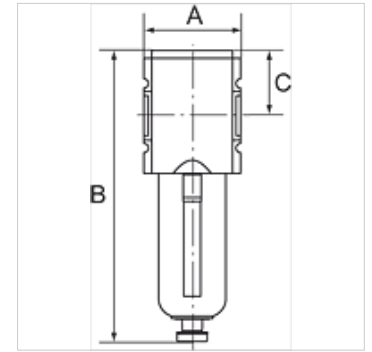
K-VORFIL PC-BEHLTER SCHUTZK HANSA

Pre-filters

HANSA FLEX

Properties

Input pressure	1.5 - 16 bar
Temp. range	-10 °C to +50 °C
Media	Compressed air
Filter rating	0,30 µm
Connection thread	Material: Die-cast zinc
Container	Polycarbonate (with bayonet lock)
Filter element	Impregnated paper
Housing	Material: Grivory® (PA 66)
Protective cage	Polyamide
Flow rate measurement	At P2 = 6 bar, pressure drop $\Delta p = 0.5$ bar



Note

Further information on request

Description

Pre-filters in modern design for compliance with strict compressed air purity requirements. Pre-filters are used to separate solid impurities up to 0.3 µm from compressed air and gases.

Item

Identification	Thread	Flow rate (L/min)	A (mm)	B	C (mm)	condensate outlet
K- 07 25 10 25	G 1/4	500	52,0	169.5 mm	39,5	Semi
K- 07 25 10 26	G 3/8	500	52,0	169.5 mm	39,5	Semi
K- 07 25 10 27	G 3/8	750	63,0	195.0 mm	47,8	Semi
K- 07 25 10 28	G 1/2	750	63,0	195.0 mm	47,8	Semi
K- 07 25 10 15	G 3/4	2000	85,0	255.0 mm	63,0	Semi
K- 07 25 10 16	G 1	2000	85,0	255.0 mm	63,0	Semi
K- 07 25 10 29	G 1/4	500	52,0	186.5 mm	39,5	Auto
K- 07 25 10 30	G 3/8	500	52,0	186.5 mm	39,5	Auto
K- 07 25 10 31	G 3/8	750	63,0	210.5 mm	47,8	Auto
K- 07 25 10 32	G 1/2	750	63,0	210.5 mm	47,8	Auto
K- 07 25 10 17	G 3/4	2000	85,0	269.0 mm	63,0	Auto
K- 07 25 10 18	G 1	2000	85,0	269.0 mm	63,0	Auto

Spare parts

K-HALTERBAUSATZ HANSA	Holder HANSA
K-ERSATZBEHAELTER HANSA POLY	Spare tank HANSA polycarbonat
K-DIFFERENZDRUCKANZEI MONO	Differential pressure and differential pressure gauge
K-DIFFERENZDRUCKMANOMETER	Differential pressure gauge