

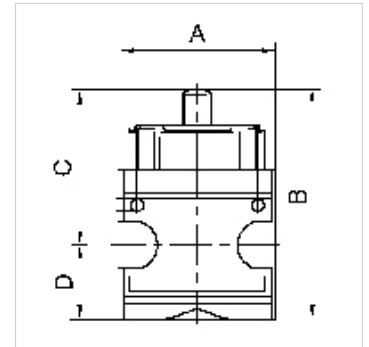
# K-3/2-BKR MULTIFIX

Ball valves

**HANSA FLEX**

## Properties

<b>Input pressure</b>	Max. 16 bar
<b>Media temperature</b>	max. 60 °C
<b>Ambient temperature</b>	Max. 60 °C
<b>Operation</b>	Twist knob, rotatable 90°
<b>Vent port</b>	Silencer G 1/4 (K-07251158, K-07251159), G 1/2 (K-07251160, K-07251161, K-07251950)
<b>Sealant</b>	NBR
<b>Housing</b>	Die-cast zinc, Aluminium for G 1 variant
<b>Flow rate measurement</b>	At P1 = 6 bar and pressure drop $\Delta p = 1$ bar



## Note

Further information on request

## Description

Rotary switch can be turned 90°, lockable, with relief port

## Item

Identification	Thread	Flow rate (L/min)	A (mm)	B	C (mm)	D (mm)	Size
K- 07 25 11 58	G 1/4	2800	47,8	81.4 mm	55,4	26,0	1
K- 07 25 11 59	G 3/8	2800	47,8	81.4 mm	55,4	26,0	1
K- 07 25 11 60	G 1/2	11000	68,8	102.6 mm	69,1	33,5	2
K- 07 25 11 61	G 3/4	11000	68,8	102.6 mm	69,1	33,5	2
K- 07 25 19 50	G 1	25000	82,8	133.5 mm	83,0	50,5	3

## Accessories

**K-SCHALLDAE SINTERBR GE MS1** Silencers, sintered bronze, with brass hexagon nut and brass thread

## Spare parts

<b>K-KOPPELPAKET MEHR</b>	Coupling packet
<b>K-KOPPELPAKET SCHMA</b>	Coupling packet
<b>K-HALTERBAUSATZ MULTIFIX</b>	Holder