

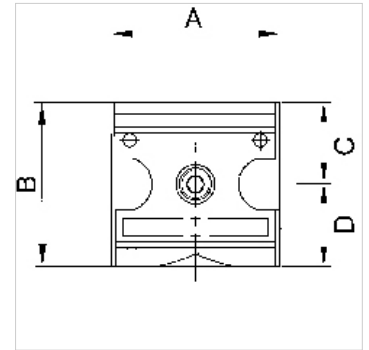
K-RD MULTIFIX

Non-return valves

HANSA FLEX

Properties

Input pressure	Max. 16 bar
Media temperature	max. 50 °C
Ambient temperature	Max. 50 °C
Sealant	NBR
Housing	Die-cast zinc
Flow rate measurement	At P1 = 6 bar and pressure drop $\Delta p = 1$ bar
Opening pressure	Min. 0.1 bar



Note

Further information on request

Description

Spring-loaded seat valves.

Item

Identification	Thread	Flow rate (L/min)	A (mm)	B	C (mm)	D (mm)	Size
K- 07 25 11 77	G 1/4	700	47,8	52.0 mm	26,0	26,0	1
K- 07 25 11 78	G 3/8	700	47,8	52.0 mm	26,0	26,0	1
K- 07 25 11 79	G 1/2	6000	68,8	67.0 mm	33,5	33,5	2
K- 07 25 11 80	G 3/4	6000	68,8	67.0 mm	33,5	33,5	2

Spare parts

K-KOPPELPAKET MEHR	Coupling packet
K-KOPPELPAKET SCHMA	Coupling packet