

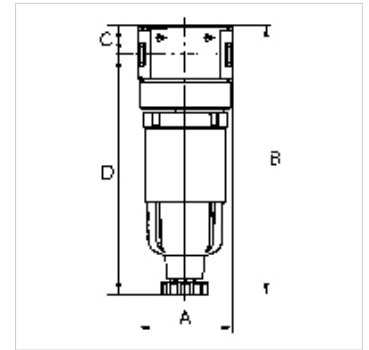
K-FI METALLBEHAEL H ALV MULTIFIX MI

Filters with metal bowl and semi-automatic drain valve

HANSA FLEX

Properties

Input pressure	Max. 16 bar (polycarbonate bowl), Max. 20 bar (metal bowl)
Media temperature	max. 60 °C
Ambient temperature	Max. 60 °C
Flow rate	1000 l/min
Pore size in filter element	5 µm
Housing	Die-cast zinc
Drain valve	Semi-automatic
Flow rate measurement	At P2 = 6 bar and pressure drop $\Delta p = 1$ bar



Note

If several devices in the »multifix-mini« Series are assembled together, the maximum working pressure is 12 bar. Further information on request

Description

Centrifugal separators with a sintered filter element.

Item

Identification	Thread	A (mm)	B	C (mm)	D (mm)	DN	Size
K- 07 25 00 43	G 1/8	40,0	111.6 mm	12,3	99,3	5	0
K- 07 25 00 45	G 1/4	40,0	111.6 mm	12,3	99,3	5	0

Spare parts

K-AUTOMAT ABLASSVENTIL	Automatic drain valve
K-KOPPELPAKET MEHR	Coupling packet
K-ERSATZBEHAELTER MULTI MINI	Spare tank »multifix-mini« & »standard-mini«
K-PC-BEHAELTER FILTER MULTIFIX	Polycarbonate tank filter
K-FILTERELEMENT	Filter element