

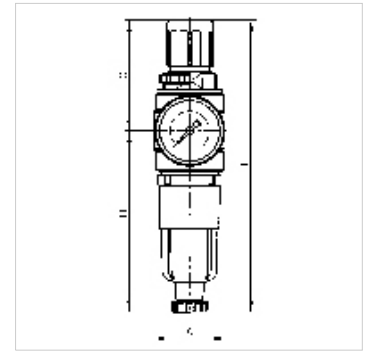
K-FI REGL PC-BEHAEL MANO MULTIFIX M

Filter regulators with polycarbonate bowl and pressure gauge

HANSA FLEX

Properties

| | |
|------------------------------------|--|
| Input pressure | Max. 16 bar (also for metal tank!) |
| Media temperature | max. 60 °C |
| Ambient temperature | Max. 60 °C |
| Pore size in filter element | 5 µm |
| Sealant | NBR |
| Spring bonnet | POM-brass |
| Housing | Die-cast zinc |
| Drain valve | Semi-automatic |
| Flow rate measurement | At P1 = 8 bar, P2 = 6 bar and pressure drop Δp = 1 bar |



Note

Further information on request

Description

Reversible diaphragm pressure regulators, independent of inlet pressure, with secondary ventilation, in combination with a centrifugal separator. The pressure setting can be locked by pressing in the handwheel.

Ordering information

Lockable filter pressure regulators available on request. If several devices in the »multifix-mini« Series are assembled together, the maximum working pressure is 12 bar.

| Item | Identification | Thread | Control range | Flow rate (L/min) | A (mm) | B | C (mm) | D (mm) | DN | Size |
|------|----------------|--------|---------------|-------------------|--------|----------|--------|--------|----|------|
| | K- 07 25 00 63 | G 1/8 | 0.1 - 3 bar | 950 | 40,0 | 165.5 mm | 63,0 | 102,5 | 5 | 0 |
| | K- 07 25 00 62 | G 1/8 | 0.5 - 10 bar | 950 | 40,0 | 165.5 mm | 63,0 | 102,5 | 5 | 0 |
| | K- 07 25 00 65 | G 1/4 | 0.1 - 3 bar | 1100 | 40,0 | 165.5 mm | 63,0 | 102,5 | 5 | 0 |
| | K- 07 25 00 66 | G 1/4 | 0.5 - 10 bar | 1100 | 40,0 | 165.5 mm | 63,0 | 102,5 | 5 | 0 |

Spare parts

| | |
|---------------------------------------|--|
| K-HALTERBAUSATZ | Holder |
| K-SCHALTTAFELMUTTER | Nut |
| K-KOPPELPAKET MEHR | Coupling packet |
| K-ERSATZBEHAELTER MULTI MINI | Spare tank »multifix-mini« & »standard-mini« |
| K-PC-BEHAELTER FILTER MULTIFIX | Polycarbonate tank filter |
| K-FILTERELEMENT | Filter element |
| K-VERSCHLEI-SATZ | Set of wearing parts |
| K-AUTOMAT ABLASSVENTIL | Automatic drain valve |