

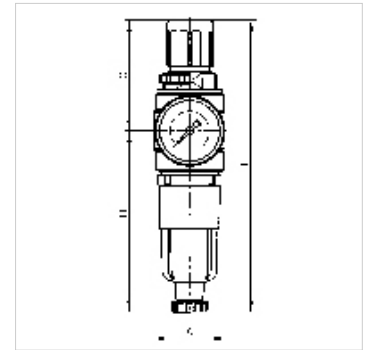
# K-FI REGL METALLBEHAE MANO MULTIF M

Filter regulators with metal bowl and pressure gauge

**HANSA FLEX**

## Properties

<b>Input pressure</b>	Max. 16 bar (also for metal tank!)
<b>Media temperature</b>	max. 60 °C
<b>Ambient temperature</b>	Max. 60 °C
<b>Pore size in filter element</b>	5 µm
<b>Sealant</b>	NBR
<b>Spring bonnet</b>	POM-brass
<b>Housing</b>	Die-cast zinc
<b>Drain valve</b>	Semi-automatic
<b>Flow rate measurement</b>	At P1 = 8 bar, P2 = 6 bar and pressure drop $\Delta p$ = 1 bar



## Note

Further information on request

## Description

Reversible diaphragm pressure regulators, independent of inlet pressure, with secondary ventilation, in combination with a centrifugal separator. The pressure setting can be locked by pressing in the handwheel.

## Ordering information

Lockable filter pressure regulators available on request. If several devices in the »multifix-mini« Series are assembled together, the maximum working pressure is 12 bar.

Item									
Identification	Thread	Control range	Flow rate (L/min)	A (mm)	B	C (mm)	D (mm)	DN	Size
K- 07 25 00 61	G 1/8	0.5 - 10 bar	950	40,0	162.0 mm	63,0	99,0	5	0
K- 07 25 00 64	G 1/4	0.5 - 10 bar	1100	40,0	162.0 mm	63,0	99,0	5	0

## Spare parts

K-HALTERBAUSATZ	Holder
K-SCHALTAFELMUTTER	Nut
K-KOPPELPAKET MEHR	Coupling packet
K-ERSATZBEHAELTER MULTI MINI	Spare tank »multifix-mini« & »standard-mini«
K-PC-BEHAELTER FILTER MULTIFIX	Polycarbonate tank filter
K-VERSCHLEI-SATZ	Set of wearing parts
K-FILTERELEMENT	Filter element
K-AUTOMAT ABLASSVENTIL	Automatic drain valve