

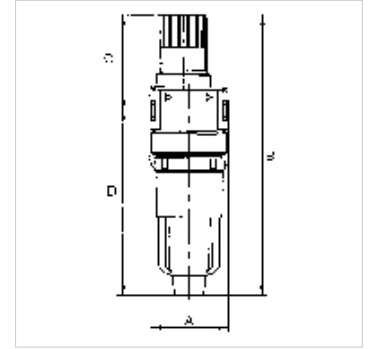
K-NEBELOELER PC-BEHÄLTER MULTIFIX MIN

Oil-mist lubricators with polycarbonate bowl

HANSA FLEX

Properties

Input pressure	Max. 16 bar (polycarbonate bowl), Max. 20 bar (metal bowl)
Media temperature	max. 60 °C
Ambient temperature	Max. 60 °C
Flow rate	1000 l/min
Sealant	NBR
Housing	Die-cast zinc
Dropper	PA (polycarbonate bowl), Zinc-glass-NBR (metal bowl)
Oil grade	CL 32 acc. to DIN 51517 - ISO VG 32
Flow rate measurement	At P2 = 6 bar and pressure drop $\Delta p = 1$ bar



Note

If several devices in the »multifix-mini« Series are assembled together, the maximum working pressure is 12 bar.
Further information on request

Description

Micro-lubricators, oil can be filled under pressure.

Item

Identification	Thread	A (mm)	B	C (mm)	D (mm)	DN	Size
K- 07 25 00 87	G 1/8	40,0	145.1 mm	49,6	95,5	5	0
K- 07 25 00 89	G 1/4	40,0	145.1 mm	49,6	95,5	5	0

Spare parts

K-AUTOMAT ABLASSVENTIL	Automatic drain valve
K-KOPPELPAKET MEHR	Coupling packet
K-ERSATZBEHÄLTER MULTI MINI	Spare tank »multifix-mini« & »standard-mini«
K-TROPFAUFSATZ POLYCARBO 1	Drip attachment polycarbonate
K-TROPFAUFSATZ METALL	Drip attachment metal