

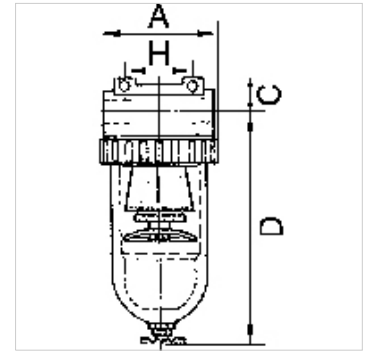
K-FI PC-BEHÄLTER S H ABLV STANDARD

Filters with polycarbonate bowl, bowl guard and semi-automatic drain valve

HANSA FLEX

Properties

Input pressure	Max. 16 bar (polycarbonate bowl / bowl guard), Max. 25 bar (metal bowl)
Media temperature	max. 60 °C
Ambient temperature	Max. 60 °C
Pore size in filter element	5 µm (Size 1 / Size 3), 40 µm (Size 2 / Size 4), 60 µm (Size 5)
Housing	Die-cast zinc, painted silver
Flow rate measurement	At P2 = 6 bar and pressure drop $\Delta p = 1$ bar
More information	User manual on request



Note

G 2 1/2 and G 3 filters available on request

Description

Centrifugal separators with a sintered filter element.

Item

Identification	Thread	Flow rate (L/min)	A (mm)	C (mm)	D (mm)	DN	H (mm)
K- 07 25 05 87	G 1/4	800	48,0	14,0	131,6	6	38,0
K- 07 25 05 90	G 3/8	800	48,0	14,0	131,6	6	38,0
K- 07 25 05 93	G 3/8	3100	70,0	16,0	145,7	10	50,0
K- 07 25 05 96	G 1/2	4000	79,0	18,0	168,4	15	50,0
K- 07 25 05 99	G 3/4	4000	102,0	26,5	169,9	20	50,0
K- 07 25 06 02	G 1	4000	90,0	26,5	169,9	25	50,0
K- 07 25 06 05	G 1 1/4	12500	125,0	36,5	243,4	40	105,0
K- 07 25 06 08	G 1 1/2	12500	125,0	36,5	243,4	45	105,0
K- 07 25 06 10	G 2	30000	148,0	41,0	394,4	55	120,0

Spare parts

K-HALTERBAUSATZ STANDARD	Holder
K-FILTERELEMENT	Filter element
K-SCHUTZKORB G	Protective cage
K-AUTOMAT ABLASSVENTIL	Automatic drain valve
K-XV AGM MS NI	Double nipples, parallel male thread, nickel-plated brass
K-LOESBARE DOPPELNIPPEL MS	Double nipples
K-ABLASSVENTIL AUTO	Fully-automatic drain valve with Adapter G 1/8