

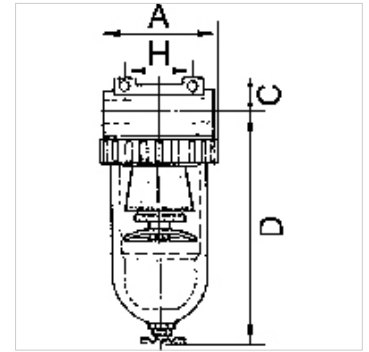
# K-FI METALLBEHAELTER M ALV STANDARD

Filters with metal bowl and manual drain valve

**HANSA FLEX**

## Properties

<b>Input pressure</b>	Max. 16 bar (polycarbonate bowl / bowl guard), Max. 25 bar (metal bowl)
<b>Media temperature</b>	max. 60 °C
<b>Ambient temperature</b>	Max. 60 °C
<b>Pore size in filter element</b>	5 µm (Size 1 / Size 3), 40 µm (Size 2 / Size 4), 60 µm (Size 5)
<b>Housing</b>	Die-cast zinc, painted silver
<b>Flow rate measurement</b>	At P2 = 6 bar and pressure drop $\Delta p = 1$ bar
<b>More information</b>	User manual on request



## Note

G 2 1/2 and G 3 filters available on request

## Description

Centrifugal separators with a sintered filter element.

## Item

Identification	Thread	Flow rate (L/min)	A (mm)	C (mm)	D (mm)	DN	H (mm)
K- 07 25 05 86	G 1/4	800	48,0	14,0	133,5	6	38,0
K- 07 25 05 89	G 3/8	800	48,0	14,0	133,5	6	38,0
K- 07 25 05 92	G 3/8	3100	70,0	16,0	159,0	10	50,0
K- 07 25 05 95	G 1/2	4000	79,0	18,0	171,0	15	50,0
K- 07 25 05 98	G 3/4	4000	102,0	26,5	172,5	20	50,0
K- 07 25 06 01	G 1	4000	90,0	26,5	172,5	25	50,0
K- 07 25 06 04	G 1 1/4	12500	125,0	36,5	246,0	40	105,0
K- 07 25 06 07	G 1 1/2	12500	125,0	36,5	246,0	45	105,0
K- 07 25 06 09	G 2	30000	148,0	41,0	397,0	55	120,0

## Spare parts

K-HALTERBAUSATZ STANDARD	Holder
K-FILTERELEMENT	Filter element
K-SCHUTZKORB G	Protective cage
K-AUTOMAT ABLASSVENTIL	Automatic drain valve
K-XV AGM MS NI	Double nipples, parallel male thread, nickel-plated brass
K-LOESBARE DOPPELNIPPEL MS	Double nipples
K-ABLASSVENTIL AUTO	Fully-automatic drain valve with Adapter G 1/8